

KEY FEATURES

- MODULAR DESIGN FOR MULTIPLE STAGED FILTRATION
- ECONOMICAL LOW FLOW MAKE UP
- WALL MOUNTING FREES UP VALUABLE LAB COUNTER SPACE

UNIX MODULAR CARTRIDGE SYSTEM

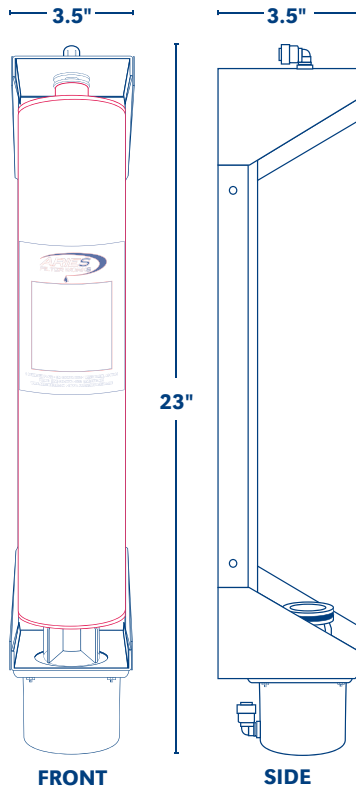
The UNIX System is a unique cartridge holder that uses quick-connect cartridges to effectively treat water and process fluids. Aries style cartridges are replaced in less than a minute without the use of any tools. The UNIX is a modular, wall-mounted system that can be easily linked together with other UNIX holders for staged filtration. A variety of cartridges are available to meet the individual application requirements. From drinking water to high purity, the Unix system and Aries cartridges provide a simple, easy, and reliable approach.

FEATURES & BENEFITS

- NO TOOL QUICK-CONNECT CARTRIDGE REPLACEMENT
- DOWN-FLOW AND/OR UP-FLOW APPLICATIONS
- USES STANDARD VP SERIES DISPOSABLE CARTRIDGES
- BUILT-IN CHANNEL HIDES INNER-CONNECTING TUBING
- RUGGED PAINTED STEEL FRAME



FLOW DIAGRAM



- | | |
|--------------------|-----------------------|
| • Dimensions | 23"H x 3.5"W x 3.5"D |
| • Weight | 5.5 lbs |
| • Construction | Painted Carbon Steel |
| • Maximum Pressure | 30 PSI |
| • Inlet / Outlet | 1/4" tube fitting |
| • Valve | 1/4" mnpt x 1/4" tube |
| • Mounting | Wall mounted |
| • Plastic Parts | Non-pigmented ABS |
| • Spring | Stainless steel |
| • Color | Beige |

UNIX MODULAR CARTRIDGE SYSTEM

ORDERING GUIDE

UNIX FOR USE WITH VP SERIES CARTRIDGES

PART NUMBER	DESCRIPTION
UNIX-00	Unix Holder - Spring Loaded Single Cartridge Holder for Vaponics Cartridge

VP SERIES REPLACEMENT CARTRIDGES

PART NUMBER	DESCRIPTION	CAPACITY	BARNSTEAD® EQUIVALENT	VAPONICS® EQUIVALENT
VP-17-4030	Color Changing High Purity Mixed Bed	1,360 grains		
VP-17-4040	Color Changing High Capacity Mixed Bed	1,590 grains		
VP-17-3002	Color Changing Cation – Condensate Polishing	2,975 grains		
VP-17-4010	High Purity Mixed Bed	1360 grains	D0809, D5027, D8816	MR-1, MR-2
VP-17-4011	Mixed Bed Low TOC	1360 grains	D0820, D5021	MR-1-LTOC, MR-2-LTOC
VP-17-1050	Activated Carbon	2,000 gallons	D0813	AC-2, AC-2
VP-17-3001	Cation (Hydrogen Form)	3670 grains	D0815	CB-1, CB-2
VP-17-3203	Anion (Hydroxide Form)	2580 grains	D0760	AN-1, AN-2
VP-17-3680	Oxygen Removal	1980 ppm	D0811, D8817	OX-1, OX-2
VP-17-4090	Pretreatment – Organics Removal	2,000 gallons	D0835, D0836, D8815	OR-1, OR-2
VP-17-4205	High Purity – Organics	2,000 gallons / 490 grains	D0832	MRO-1, MRO-2
VP-17-4200	High Purity / Oxygen Removal	400 grains / 660 ppm	D8809	MRX-1, MRX-2
VP-17-4301	High Purity / Oxy Removal / Org. Removal	300 grains / 525 ppm	D8811, D8818	MROX-1, MROX-2
VP-17-4203	High Capacity	1590 grains	D0803	
VP-17-3000	Softening	3635 grains		
VP-17-4202	Two Bed Layered	1,300 grains		GN-1, GN-2
VP-17-4402	Four Bed Layered	1,300 grains		FB-1, FB-2
VP-17-4090-OR	Condensate Feed Back (Organic Removal)	2,000 gallons		CFB-1
VP-17-3001-AR	Condensate Feed Back (Amine Removal)	3,200 gallons		CFB-2
VP-17-4010-DI	Condensate Feed Back (Deminerlization)	1,000 gallons		CFB-3
VP-17-2001	Carbon with 1 lb KDF	8,000 gallons		

NOTES

MADE IN USA

PROUD TO BE
ISO 9001: 2015 CERTIFIED



Notes: Ordering information subject to change without notice. Please verify all specifications prior to ordering.

To place an order call (856) 626-1550 or e-mail ariescs@ariesfilterworks.com

IMPORTANT NOTICE TO USER:

Unix - 08/15rev2.2

The following is made in lieu of all other warranties expressed or implied. Manufacturer's and Seller's only obligation shall be to issue credit against the purchase or replacement of the equipment proved to be defective in material or workmanship. Neither Manufacturer nor Seller shall be liable for any injury, loss or damage, direct or indirect, special or consequential, arising out of the use of, misuse, or the inability to use such product. The information contained herein is based on technical data and tests which we believe to be reliable and is intended for use by persons having technical skill at their discretion and risk. Since conditions of use are outside ResinTech's control, we can assume no liability whatsoever for results obtained or damages incurred through the application of the data presented. This information is not intended as a license to operate under, or a recommendation to infringe upon, any patent of ResinTech's or others covering any material or use. The foregoing may not be altered except by written agreement signed by officers of the manufacturer.